



# SEAFOAM® / SEAFOAM® FL

ABSORBENT PANEL

**NEW  
UPDATED  
MODELS**

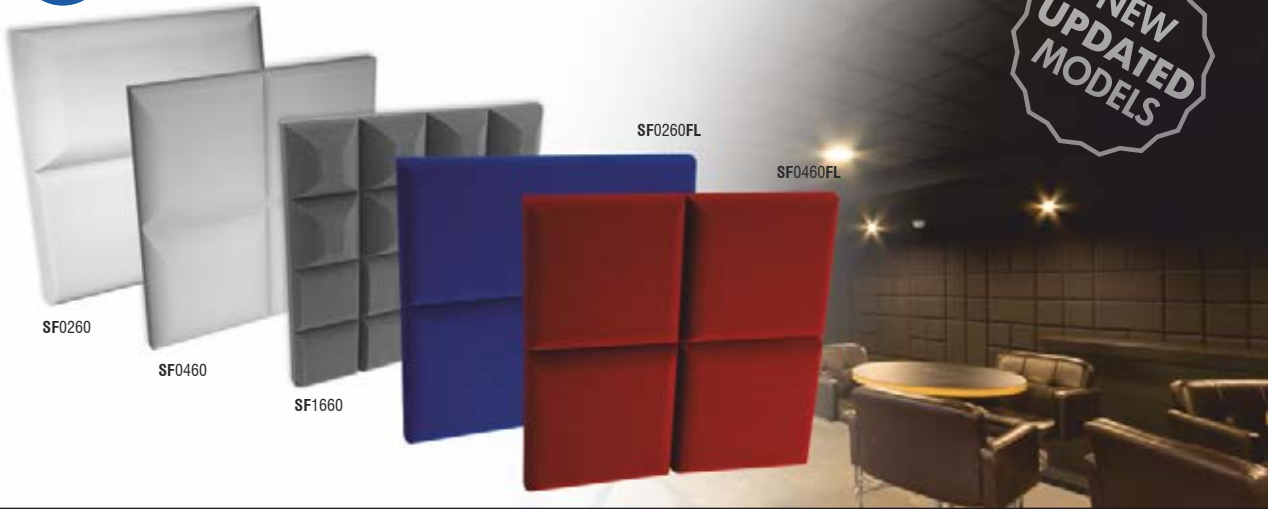


Image of 60x60cm models Ref.:SF0260, Ref.:SF0460 and Ref.:SF1660, and the new SEAFOAM®FL, Ref.:SF0260FL, Ref.:SF0460FL (on the left) and Ref.:SF0260 Velvety Finishing applied (ambient image).

## DESCRIPTION

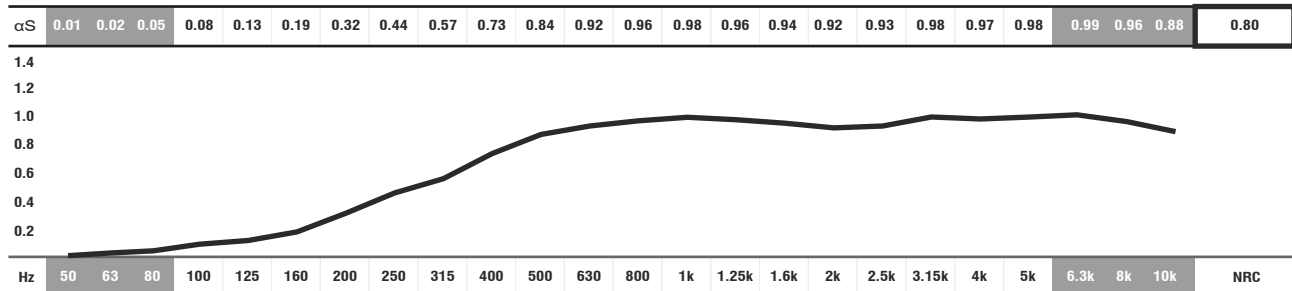
The SEAFOAM® is made of a flexible open-cell foam from melamine resin, a thermoset polymer. This foam is characterised by its three-dimensional network structure which consists of easily shaped thin filaments. The sound waves penetrate the open-cell structure, thus reducing the reflected energy and giving this product an excellent sound absorption capacity.

Due to its low weight, the SEAFOAM® allows the creation of large-surface elements that seem to be free-floating, giving rooms an attractive appearance. The simple installation method does not require any additional structural or engineering calculations. Working areas which are exposed to high levels of noise, such as industrial areas, pavilions, among others, can be acoustically restored at a low cost, by reequipping them with these lightweight absorbers. We can make specific shapes and sizes for large projects upon demand. The SEAFOAM®'s acoustic and safety characteristics make this product ideal for use as a noise control and sound insulation device in buildings that have demanding requirements against fire. It improves acoustics and soundproofing, thereby providing safety in accordance with environmental standards.

## FEATURES

- Raw material: Melamine Foam or Regular Acoustic Foam.
- NRC: **0.80/m²**.
- **MELAMINE FOAM** - Flame resistance: Euroclass B-s1,d0 (similar to old M1 France, Germany B1,GB class1, USA V0/HF1).
- **ACOUSTIC FOAM** - Flame resistance: Euroclass B-s3,d1 (similar to old M1).
- Velvety Finishing available.
- Very easy to install.
- 100% recyclable.

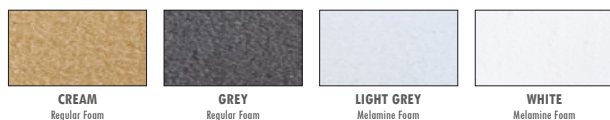
## ABSORPTION COEFFICIENT\*



■ ABSORPTION COEFFICIENT: Values in accordance with the standards: EN 20654, ASTM C423 and EN 11654.

■ Values [ $<100\text{Hz}$  and  $>5\text{K}$ ] are Non Standard Values.  
\*PANEL DATA ONLY OF REF.: SF0460 (8 CM) REGULAR FOAM.

## REGULAR AND MELAMINE FOAM COLOURS



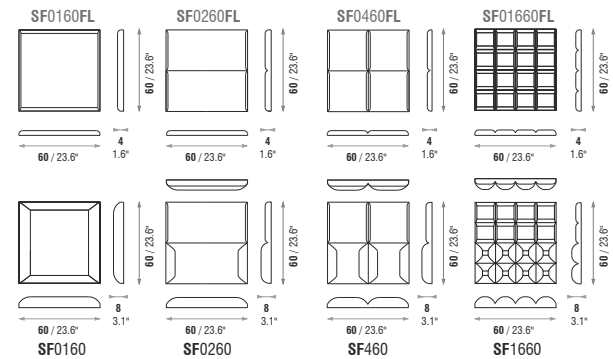
## VELVETY COLOURS



## IMPORTANT NOTICES

- JOCAVI® accepts no responsibility for any printing errors. Specifications can be modified without prior notice, if technical or commercial reasons so require.
- The colours shown on this catalogue are only a reference and an illustration of the products finishing. The colours shown are not binding because brightness, contrast and colour balance may vary due to the printing process.
- Colours may vary due to raw-material suppliers' changes and some differences may occur in tonal range.
- Typical Indoor Comfort Standards state a temperature range of 20°C - 27°C (68°F - 81°F), and a relative humidity of less than 60%. These would be considered as normal operational levels of JOCAVI® products' range.
- Despite all the standard sizes of all products, this model can be customised upon previous consultation. Sizes may vary slightly (+/-3mm) due to their production method and some inherent raw-materials characteristics.

## TECHNICAL DRAWINGS



## MODELS AND SIZES

MODELS	HEIGHT	WIDTH	DEPTH	WEIGHT
SF0160	60 cm (23.6 in)	60 cm (23.6 in)	8 cm (3.1 in)	0.6 Kg (1.32 lbs)
SF0260	60 cm (23.6 in)	60 cm (23.6 in)	8 cm (3.1 in)	0.6 Kg (1.32 lbs)
SF0460	60 cm (23.6 in)	60 cm (23.6 in)	8 cm (3.1 in)	0.6 Kg (1.32 lbs)
SF1660	60 cm (23.6 in)	60 cm (23.6 in)	8 cm (3.1 in)	0.6 Kg (1.32 lbs)
SF0160FL	60 cm (23.6 in)	60 cm (23.6 in)	4 cm (1.6 in)	0.35 Kg (0.77 lbs)
SF0260FL	60 cm (23.6 in)	60 cm (23.6 in)	4 cm (1.6 in)	0.35 Kg (0.77 lbs)
SF0460FL	60 cm (23.6 in)	60 cm (23.6 in)	4 cm (1.6 in)	0.35 Kg (0.77 lbs)
SF1660FL	60 cm (23.6 in)	60 cm (23.6 in)	4 cm (1.6 in)	0.35 Kg (0.77 lbs)

