



QUADCORK®

ABSORBENT PANEL



Image of 25x25x6cm model Ref.:QCK006 (on the left) and Ref.:QCK006 models applied (ambient image).

DESCRIPTION

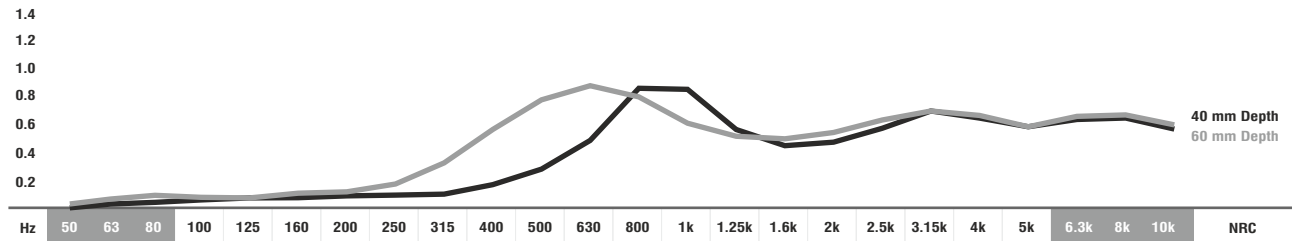
Following an ecological philosophy, JOCAVI® has designed this product made exclusively of cork from cork oak trees. Its industrial process is 100% natural. The QUADCORK® is an anti-vibration insulation and acoustic treatment product with a high degree of thermal insulation as well. The outstanding behaviour of the Expanded Cork Agglomerate, in terms of insulation and dimensional elasticity and its controlled porosity and density, delivers excellent acoustic performances to reduce sound levels by structure-borne transmission and to reduce airborne noise and reverberation time. The QUADCORK® is thus the practical, efficient and ecological solution for a good acoustic insulation and treatment. It is meant to be applied on continuous surfaces or on selected spots. It comes in 25cm x 25cm (9.8" x 9.8") mosaics that are simply glued to the surfaces, walls and ceilings. The QUADCORK® is simply made of cork as its raw-material, without additives..., and is bonded with its own resin. 90% of the energy consumption is made up of biomass, the waste of its industrial process, granules and dust. It is fully reusable.

FEATURES

- Renewable and 100% natural raw-material and fully recyclable.
- NRC: **0.42/m²** - 4cm (1.6") and **0.53/m²** - 6cm (2.4").
- Level of sound insulation: **Rw 52 dB**.
- Fire resistance: Euroclass E (EN 13501-1 - similar to old M4). No release of toxic gases.
- Thermal, acoustic and anti-vibration insulation material.
- Density: 120Kg / m³ - (264.55 lbs/ ft³).
- Thermal conductivity / Specific heat: 0.004W/mk.
- Natural industrial process (without additives).
- Unlimited durability, no loss of features.

ABSORPTION COEFFICIENT*

αS	0.01	0.03	0.05	0.06	0.07	0.07	0.08	0.09	0.10	0.18	0.28	0.48	0.84	0.83	0.55	0.44	0.47	0.58	0.69	0.62	0.59	0.61	0.62	0.58	0.42
αS	0.02	0.05	0.08	0.07	0.07	0.09	0.12	0.19	0.33	0.57	0.78	0.85	0.79	0.61	0.53	0.49	0.54	0.61	0.69	0.63	0.59	0.62	0.63	0.59	0.53

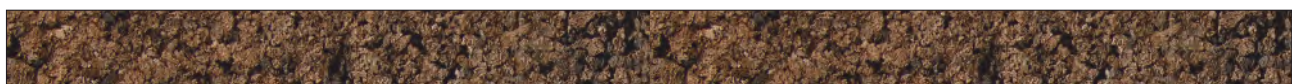


■ ■ ABSORPTION COEFFICIENT: Values in accordance with the standards: EN 20654, ASTM C423 and EN 11654.

■ Values [$<100\text{Hz}$ and $>5\text{K}$] are Non Standard Values.

*PANEL DATA ONLY OF REF.: QCK004 AND QCK006 MODELS.

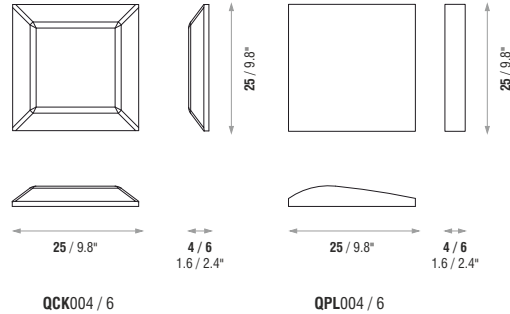
STANDARD CORK COLOUR



IMPORTANT NOTICES

- JOCAVI® accepts no responsibility for any printing errors. Specifications can be modified without prior notice, if technical or commercial reasons so require.
- The colours shown on this catalogue are only a reference and an illustration of the products finishing. The colours shown are not binding because brightness, contrast and colour balance may vary due to the printing process.
- Colours may vary due to raw-material suppliers' changes and some differences may occur in tonal range.
- Due to its natural origin, wood-based products will always present natural imperfections inherent to the organic nature. And for similar reasons, they will also present traces of old-age in the course of time.
- Typical Indoor Comfort Standards state a temperature range of 20°C - 27°C (68°F - 81°F), and a relative humidity of less than 60%. These would be considered as normal operational levels of JOCAVI® products' range.
- Despite all the standard sizes of all products, this model can be customised upon previous consultation. Sizes may vary slightly (+/-3mm) due to their production method and some inherent raw-materials characteristics.

TECHNICAL DRAWINGS



MODELS AND SIZES

MODELS	HEIGHT	WIDTH	DEPTH	WEIGHT
*QCK006	25 cm (9.8 in)	25 cm (9.8 in)	6 cm (2.4 in)	0.5 Kg (1.10 lbs)
**QCK004	25 cm (9.8 in)	25 cm (9.8 in)	4 cm (1.6 in)	0.3 Kg (0.66 lbs)
*QPL006	25 cm (9.8 in)	25 cm (9.8 in)	6 cm (2.4 in)	0.5 Kg (1.10 lbs)
**QPL004	25 cm (9.8 in)	25 cm (9.8 in)	4 cm (1.6 in)	0.3 Kg (0.66 lbs)

SOLD IN BOXES *1 Box = 0.75m² / **1 Box = 1.225m²
SOLD IN BOXES *1 Box = 8.07ft² / **1 Box = 12.1ft²

