



# COOKIE® / CLOUD

ABSORBENT PANEL

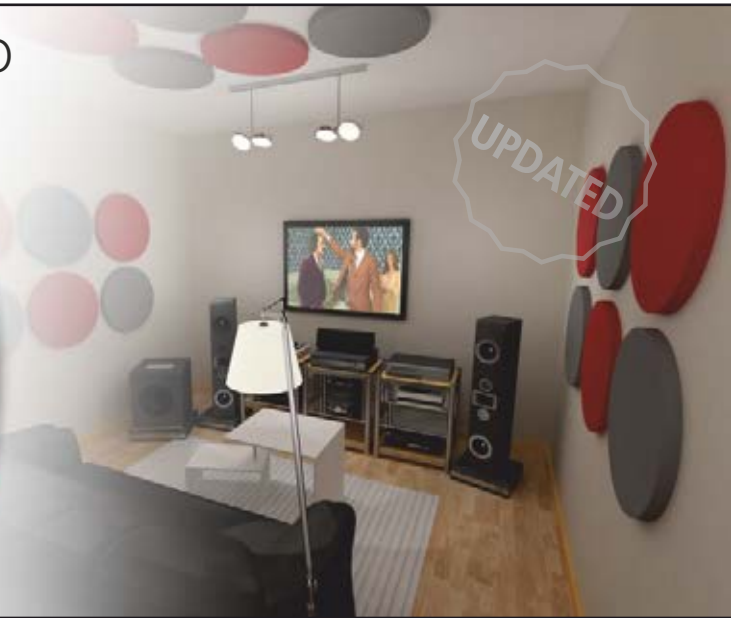


Image of 60x60cm pair models Ref. COK060 (on the left) and the same applied (ambient image).

## DESCRIPTION

COOKIE® is made of a melamine foam or flexible open-cell self-extinguishable acoustic foam. Its appearance describes a circular shape and it is supplied in two different diameters. The optional velvet finishing gives this product an attractive luxury look. COOKIE®'s acoustic characteristics make this product ideal for use as a noise control device in interior environments. It improves airborne noise reduction while also providing fire safety requirements.

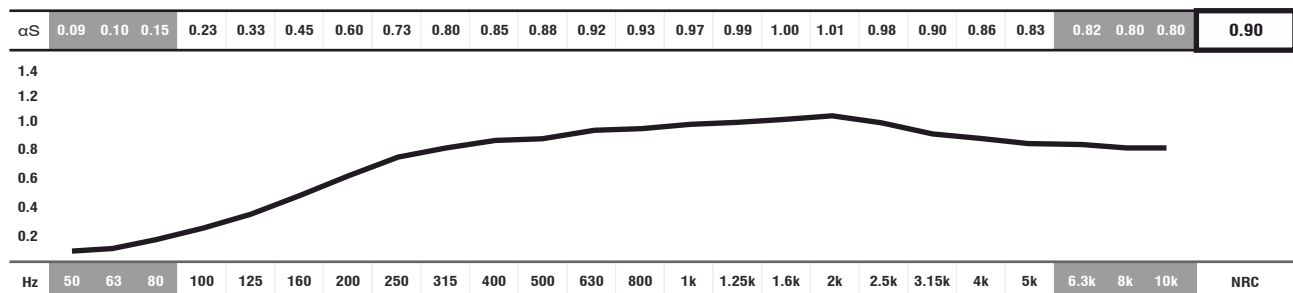
Due to its low weight, COOKIE® allows the creation of large-surface areas that can be glued directly on to the surface or hung on ceilings with metal wire as an option, giving rooms an attractive appearance.

Meeting rooms, offices and hotel foyers can be acoustically upgraded just as effective and attractive by using this product. The installation method is very simple using mounting glue. The melamine foam raw material of this product meets the most important international fire safety regulations. It is produced without using halogenated hydrocarbons, flame-retardants and/or toxic heavy metals.

## FEATURES

- NRC: 0.90/m² [ $>250\text{Hz}$ ;  $<10\text{KHz}$ ].
- **MELAMINE FOAM** - Flame resistance: Euroclass B-s1,d0 (similar to old M1 France, Germany B1,GB class1, USA V0/HF1).
- **ACOUSTIC FOAM** - Flame resistance: Euroclass B-s3,d1 (similar to old M1).
- Good thermal insulation properties and constant physical properties over a wide temperature range.
- Resistance to all organic solvents.
- Sold in pairs.
- Mounting: glue or by hanging.

## ABSORPTION COEFFICIENT\*

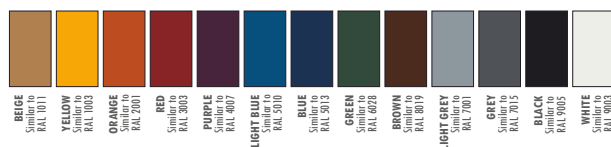


■ ABSORPTION COEFFICIENT: Values in accordance with the standards: EN 20654, ASTM C423 and EN 11654.

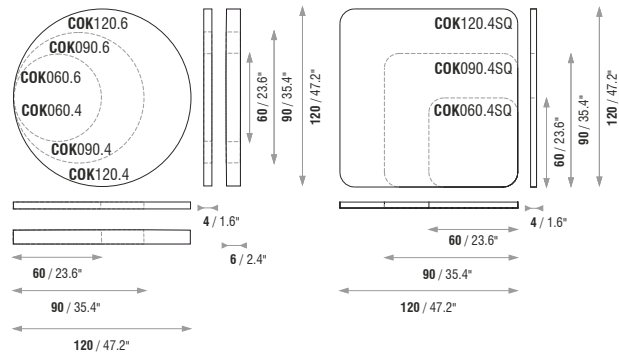
■ Values [ $<100\text{Hz}$  and  $>5\text{K}$ ] are Non Standard Values.

\*PANEL DATA ONLY OF REF: COK060.6 VELVETY FINISHING.

## STANDARD FABRIC COLOURS



## TECHNICAL DRAWINGS



## MODELS AND SIZES

MODELS	HEIGHT	DIAMETER / WIDTH	WEIGHT
COK120.6	6 cm (2.4 in)	Ø120 cm (47.2 in)	1.1 Kg (2.43 lbs)
COK/SQ/120.4	4 cm (1.6 in)	Ø120 cm (47.2 in)	0.7 Kg (1.54 lbs)
COK090.6	6 cm (2.4 in)	Ø90 cm (35.4 in)	0.6 Kg (1.32 lbs)
COK/SQ/090.4	4 cm (1.6 in)	Ø90 cm (35.4 in)	0.4 Kg (0.88 lbs)
COK060.6	6 cm (2.4 in)	Ø60 cm (23.6 in)	0.45 Kg (0.99 lbs)
COK/SQ/060.4	4 cm (1.6 in)	Ø60 cm (23.6 in)	0.3 Kg (0.66 lbs)

SOLD IN PAIRS

## REGULAR AND MELAMINE FOAM COLOURS AND VELVETY FINISHINGS



## IMPORTANT NOTICES

- JOCAVI® accepts no responsibility for any printing errors. Specifications can be modified without prior notice, if technical or commercial reasons so require.
- RAL® is an international independent colour standard system partner for industry, trade, architecture and design. Should be consulted before placing any order.
- The colours shown on this catalogue are only a reference and an illustration of the products finishing. The colours shown are not binding because brightness, contrast and colour balance may vary due to the printing process.
- Colours may vary due to raw-material suppliers' changes and some differences may occur in tonal range.
- Typical Indoor Comfort Standards state a temperature range of 20°C - 27°C (68°F - 81°F), and a relative humidity of less than 60%. These would be considered as normal operational levels of JOCAVI® products' range.
- Despite all the standard sizes of all products, this model can be customised upon previous consultation. Sizes may vary slightly (+/-3mm) due to their production method and some inherent raw-materials characteristics.

